



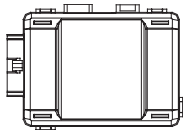
SUBARU

**GENUINE PARTS
INSTALLATION
INSTRUCTIONS**

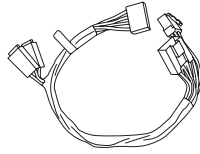
PART NUMBER: H001SFJ600

DESCRIPTION: REMOTE ENGINE START SYSTEM

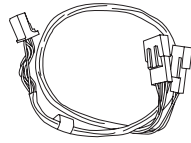
1 KIT CONTENTS



Remote Start Control Module
Quantity= 1



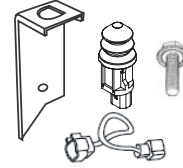
Remote Start Ignition Wiring Harness
Quantity= 1



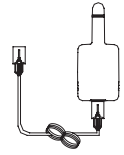
Pre-Arranged Jumper Wiring Harness
Quantity= 1



Remote Start Fobs W/ Warning Tags
Quantity= 2



Hood Safety Switch, Mounting Bracket, Mounting Bolt & 6" Extension Harness
Quantity= 1



Remote Start Antenna and Harness
Quantity= 1



Underhood Warning Label
Quantity= 1



Quick Reference Card
Quantity= 1 English,
1 French



Tie Wraps
20cm Quantity= 9
39cm Quantity= 7
53cm Quantity= 1

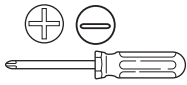


Long Foam Tape
Quantity= 1

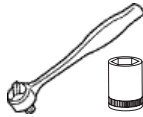


Small Foam Pads
Quantity= 6

2 TOOLS REQUIRED



Phillips Screwdriver
Short and Standard



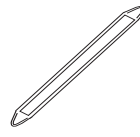
Ratchet and
10mm Socket



Torque Wrench



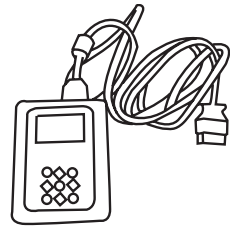
Wire Cutters



Panel Removal
Tool

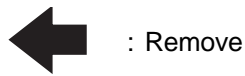


Alcohol and Towel

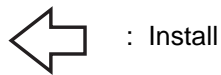


SSMIII
Diagnostic Interface

3 MEANING OF CHARACTERS



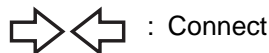
: Remove



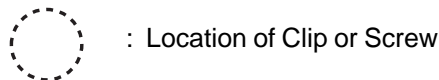
: Install



: Disconnect



: Connect



: Location of Clip or Screw

T : Tighten Torque



: Loosen



: Discard



: Re-use

CAUTION: DO NOT SECURE ANY REMOTE START HARNESSSES / MODULES TO ANY YELLOW HARNESSSES / CONNECTORS (AIRBAG SYSTEM) IN THE VEHICLE.

PART NUMBER
H001SFJ600

ISSUE
00

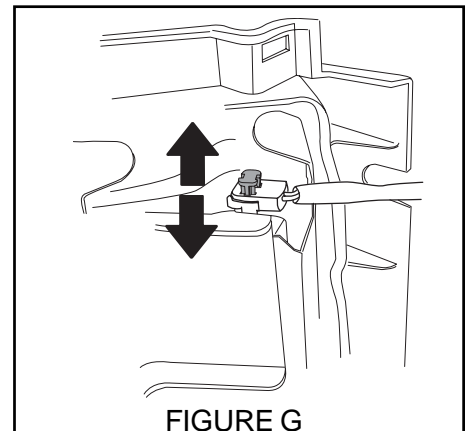
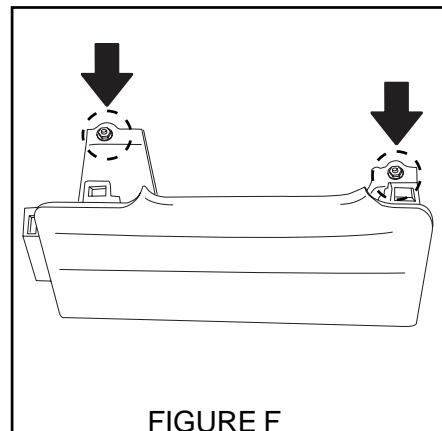
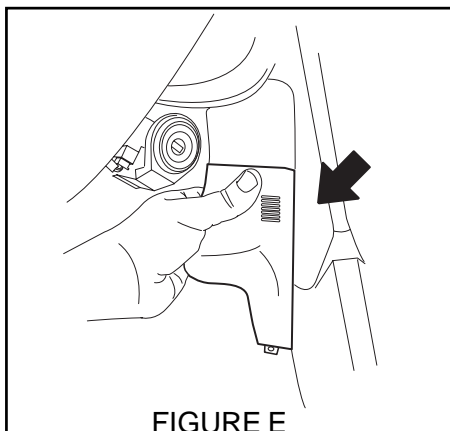
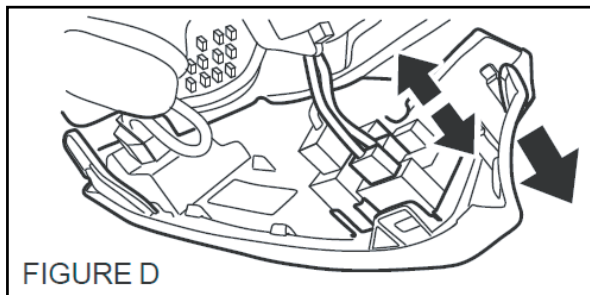
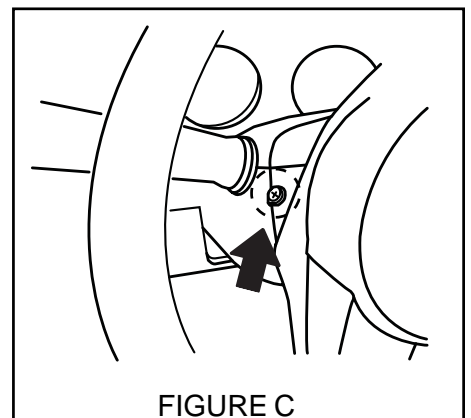
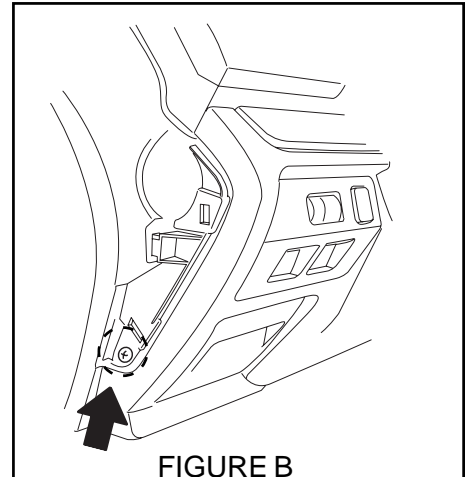
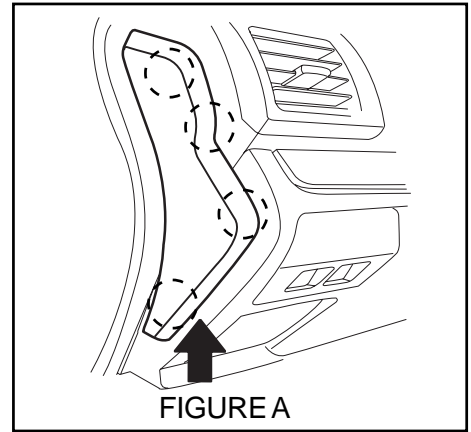
DATE
18 Jul 2013

SUBARU OF AMERICA

1 OF 12

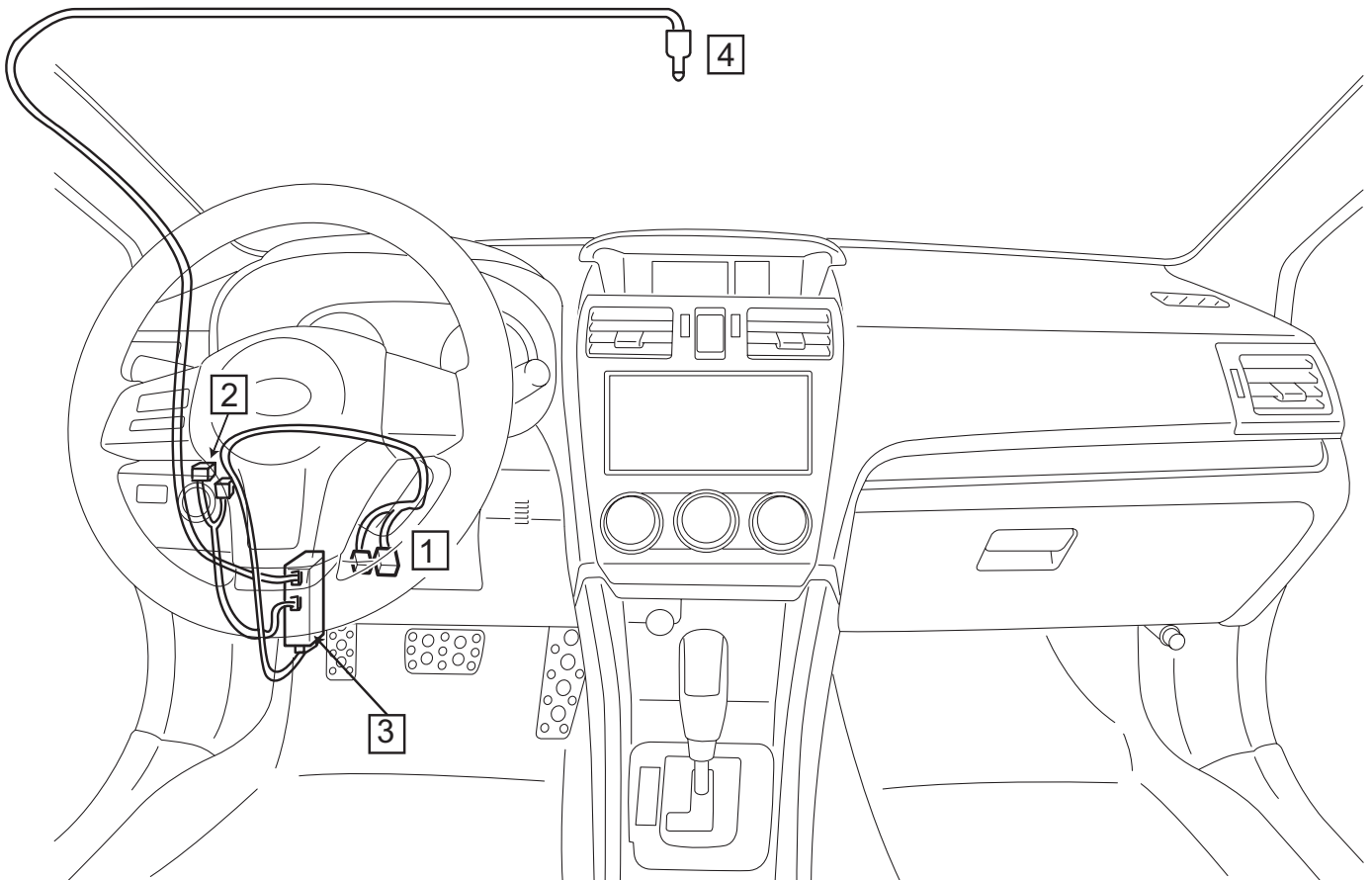
4 VEHICLE PREPARATION

1. Using a 10 mm socket/ratchet, disconnect the negative battery terminal.
NOTE: DO NOT PROCEED TO THE NEXT STEP FOR ONE (1) MINUTE TO ALLOW TIME FOR THE AIRBAG POWER SUPPLY TO DISCHARGE.
2. Using a panel removal tool, carefully remove the left side dashboard panel by beginning at the bottom and working upward (FIGURE A). Remove one (1) Phillips screw securing the lower dashboard panel on the left side of the dashboard. (FIGURE B)
3. Remove the steering column shroud. Using a Phillips screwdriver, remove one (1) Phillips screw on the left side face and one (1) Phillips screw on the right side face of the steering column shroud. Carefully unsnap and remove the lower steering column shroud panel and then remove the upper steering column shroud panel (FIGURE C). NOTE: You will need to rotate the steering wheel to access the Phillips screws on the face of the steering column.
4. Using a panel removal tool, carefully remove the driver's left side lower dashboard panel by pulling straight out. Unplug all connectors attached to the dashboard panel. (FIGURE D)
5. Remove one (1) Phillips screw on the lower corner of the driver's right side lower dashboard panel. Carefully remove the driver's right side lower dashboard panel by grasping in the middle of the trim panel and pulling straight out towards the rear of the vehicle (FIGURE E). NOTE: Do **not** pull from the bottom of the panel, doing so may result in damage to the panel or the retaining clips.
6. Using a 10 mm socket/ratchet, remove the 2 nuts securing the driver's side lower airbag / knee bolster (FIGURE F). After removing the lower airbag / knee bolster, disengage the yellow connector lock by using a pick tool to lift upward. Using a panel removal tool, carefully lift upward to unplug the electrical connector and place the airbag / knee bolster in a safe area. (FIGURE G)



5 WIRE HARNESS CONNECTIONS

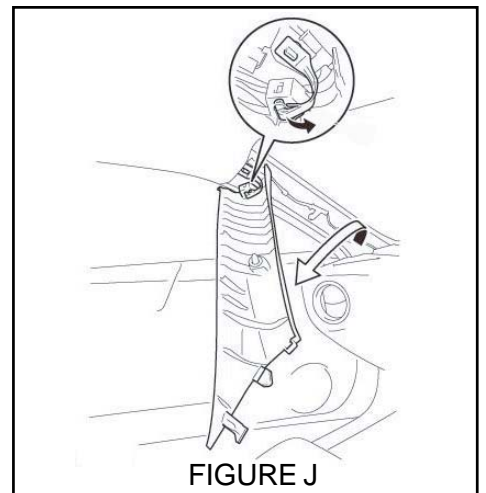
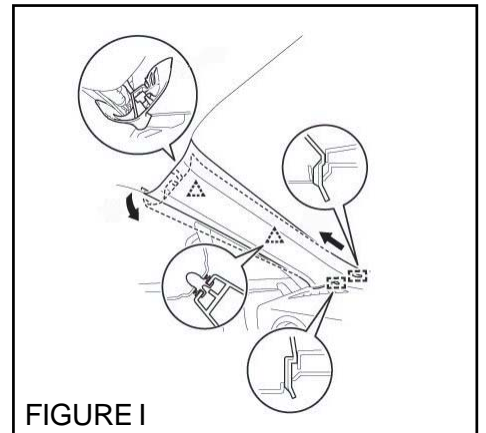
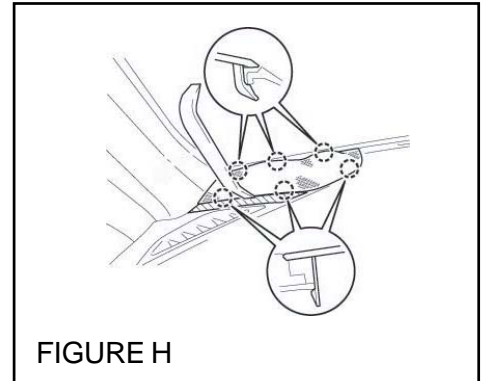
WIRE HARNESS OVERVIEW / LAYOUT



- 1 Ignition switch "T" harness connection at vehicle ignition switch. Routes from ignition switch to RES control module. See section 7.
- 2 Jumper harness connection to vehicle pre-arranged connectors. Located near the left side knee bolster airbag mount. Routes from vehicle side pre-arranged connectors to RES control module. See section 7.
- 3 RES control module mounting to the left side of the vehicle Automatic Transmission (A/T) control module. See section 8.
- 4 RES windshield mount antenna connection. See section 6

A-PILLAR PANEL REMOVAL

1. Using a panel removal tool, carefully remove the driver's side dashboard tweeter cover by lifting upward.
(FIGURE H)
2. Remove the driver's side A pillar panel by releasing the two (2) body clips along with the lower clips where the A pillar panel meets the dashboard. (FIGURE I)
3. Rotate the A pillar panel away from the dashboard and release the the airbag tether clip from the top of the A pillar panel. (FIGURE J)
CAUTION! Use care when performing this step to avoid damage to the curtain airbag. If the airbag is damaged, it must be replaced.
4. Inspect the white protective (non-woven fabric) of the curtain airbag. If the fabric is damaged, the curtain airbag assembly must be replaced.



ANTENNA POD MOUNTING / HARNESS ROUTING

1. Plug the 5-pin connector on the antenna harness into the 5-pin port on the antenna pod. (FIGURE K)
2. Using the supplied long adhesive backed foam tape, carefully apply the foam tape to one side of the antenna harness starting 76mm (3") away from the antenna side connector down the the length of the antenna harness. Carefully fold the foam tape over and apply to the other side sandwiching the antenna harness between the foam tape. (FIGURE K)
3. Clean glass surface near antenna mounting area with alcohol. Remove the adhesive backing on the antenna pod and apply the antenna to the windshield. The base of the antenna pod (harness connection end) should line up to the area of the windshield where the solid black film and dotted black film meet and 25mm (1") left of the windshield center mark. (FIGURE L)
4. Route the antenna harness across the headliner and down the A-pillar tucking the cable below the driver's side dashboard through the opening closest to the windshield and allow the harness to hang loose behind the vehicle's dashboard mounted fusebox. (FIGURE M) The antenna harness will be plugged into the remote start control module later.
5. Secure the antenna harness to the existing vehicle wiring in the A-pillar in six (6) places using the supplied 20cm (8") tie wraps. Wrap the tie wraps with the supplied foam tape to prevent rattling. (FIGURE N)
6. Using one of the supplied 20cm (8") tie wraps, secure the antenna harness to the vehicle wiring behind the fusebox.
7. Re-install the airbag tether clip to the A pillar panel and rotate the panel into place.
8. Re-install the A pillar panel and driver's side dashboard tweeter cover.

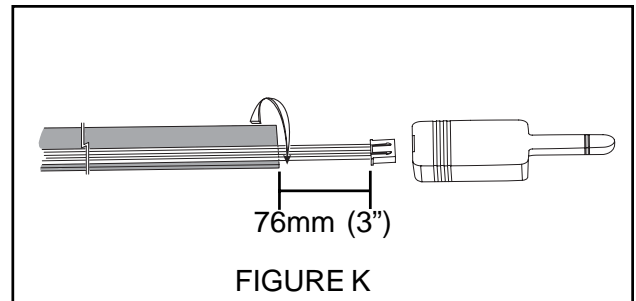


FIGURE K

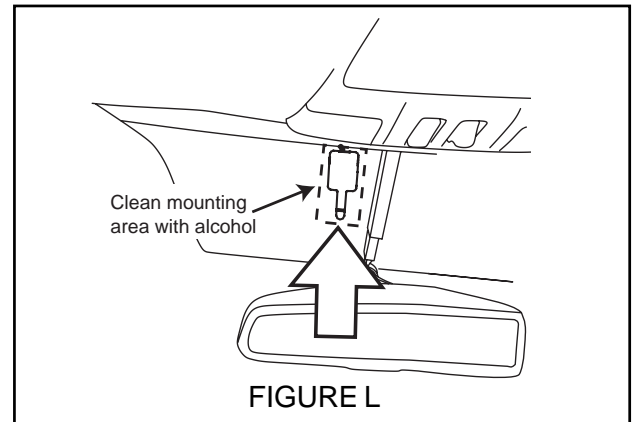


FIGURE L

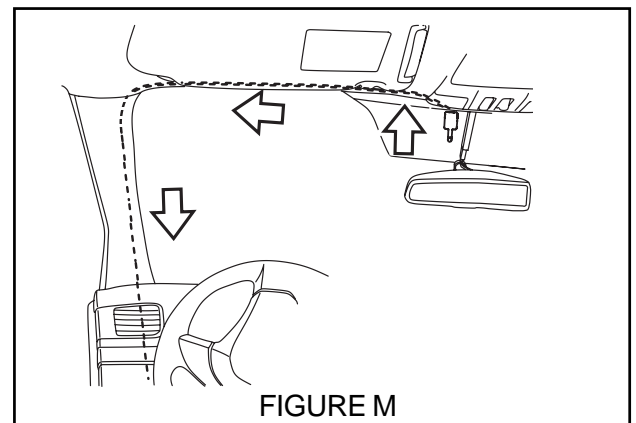


FIGURE M

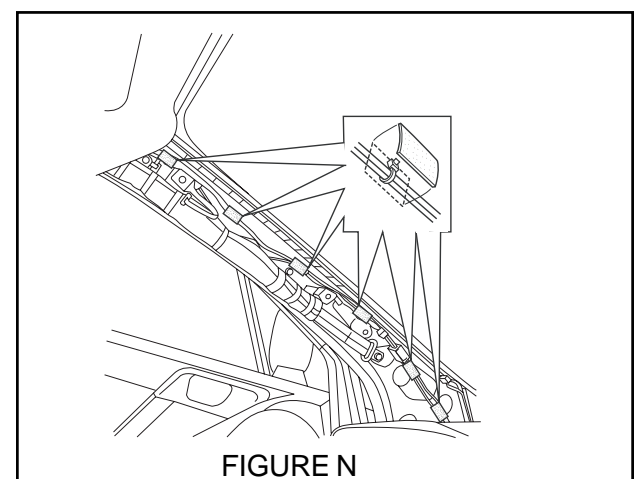


FIGURE N

7 WIRE HARNESS CONNECTIONS

NOTE: Use caution while installing the wiring harness, be sure to route and attach the harness away from sharp metal surfaces.

8-PIN IGNITION SWITCH CONNECTIONS

1. Adjust the tilt/telescoping steering column all the way out and down.
2. Locate the 8-pin ignition switch connector on the right side of the steering column and unplug. Carefully pull the connector down and toward the steering wheel. (FIGURE O)
3. Plug the remote start ignition harness 8-pin female connector into the vehicle's ignition switch. (FIGURE P)
4. Carefully fold back the remote start harness foam wrapped 8-pin male connector. Plug the previously unplugged vehicle's female ignition switch connector into the remote start ignition harness foam wrapped 8-pin male connector (FIGURE P).
5. Route the remote start ignition harness over the top of the vehicle's ignition harness (hard shell cover) towards the firewall.
6. Using four of the supplied 39cm (15") tie wraps, secure the remote start ignition harness to the following. (FIGURE Q)

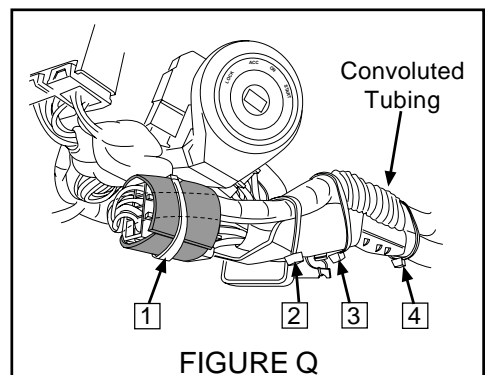
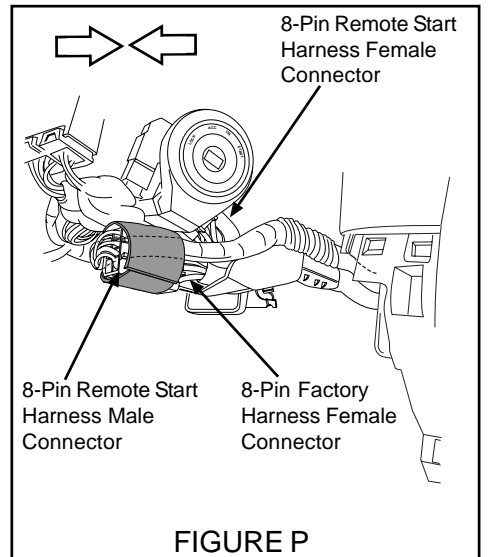
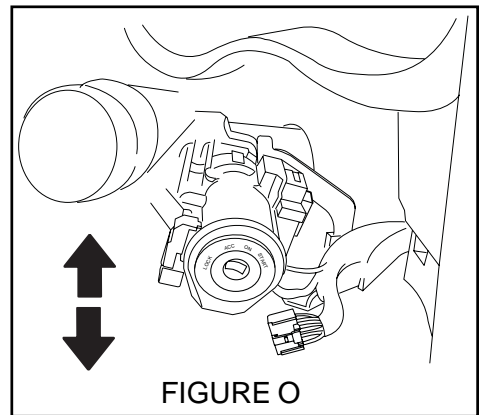
Tie wrap #1 - Secure the mated vehicle female ignition switch connector and remote start ignition harness 8-pin male connectors to the existing factory wiring harness located lower front of the steering column. NOTE: The tie wrap should secure around the foam covered mated connectors, not the wiring.

Tie wrap #2 - Secure the remote start ignition harness to the vehicle's steering column harness hard shell cover.

Tie wrap #3 - Secure the remote start ignition harness to the vehicle's steering column harness hard shell cover in front of the remote start harness convoluted tubing area.

Tie wrap #4 - Secure the remote start ignition harness to the vehicle's steering column harness behind the hard shell cover and remote start harness convoluted tubing area.

NOTE: Do not secure tie wraps to the convoluted tubing covered area of the remote start ignition harness.



7 WIRE HARNESS CONNECTIONS, continued

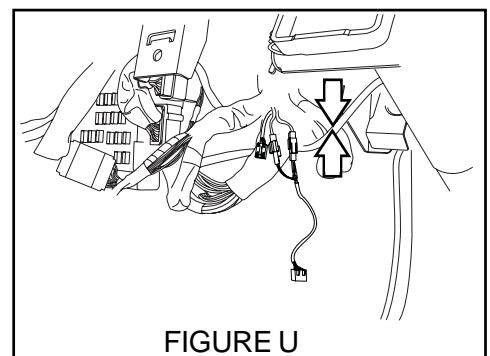
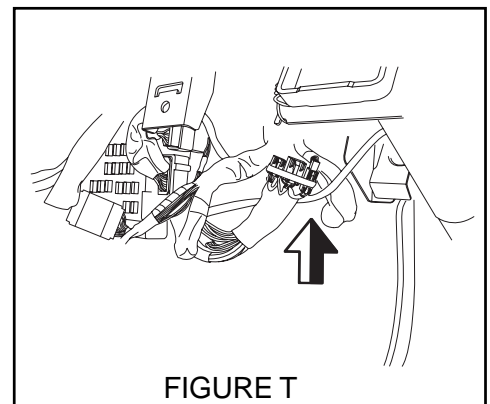
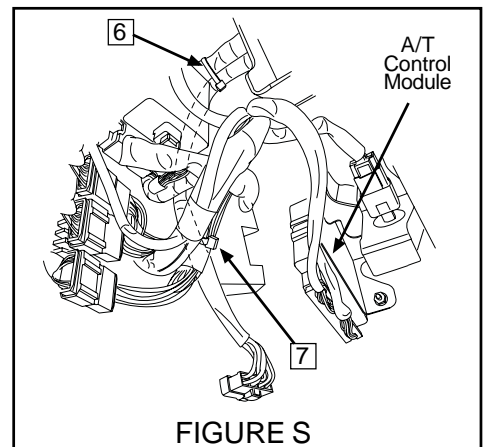
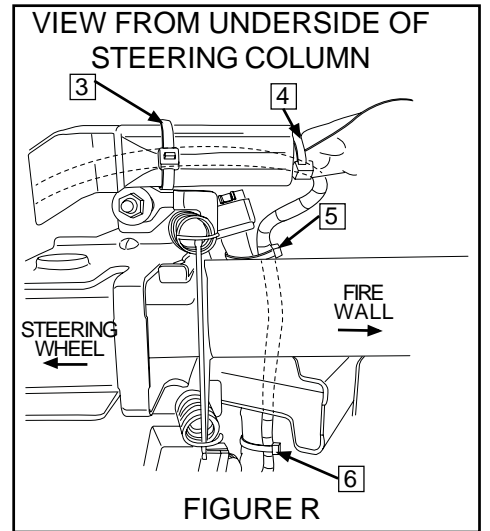
NOTE: Use caution while installing the wiring harness, be sure to route and attach the harness away from sharp metal surfaces.

8-PIN IGNITION SWITCH CONNECTIONS, continued

1. Verify that the tilt/telescoping steering column is still all the way out and down.
2. Reaching up from under the steering column, route the remote start ignition harness up toward the vehicle's instrument panel routing the remote start ignition harness over the steering column with the vehicle's instrument panel harness. Using two (2) of the supplied 39cm (15") tie wraps, secure the remote start ignition harness to the top of the vehicle's instrument panel harness on each side of the steering column (Tie Wrap #5 and Tie Wrap #6). (FIGURE R) NOTE: Tie wraps #3 & 4 are indicated for reference. These are the same tie wraps called out in FIGURE Q from an alternate view.
3. Route the remote start ignition harness down towards the vehicle automatic transmission (A/T) control module. Using one (1) of the supplied 39cm (15") tie wraps (Tie Wrap #7), secure the remote start ignition harness to the vehicle wiring near the A/T control module. (FIGURE S) NOTE: Tie wrap #6 is also shown as reference.

4-PIN & 2-PIN PRE-FIT CONNECTIONS LEFT CENTER OF STEERING COLUMN

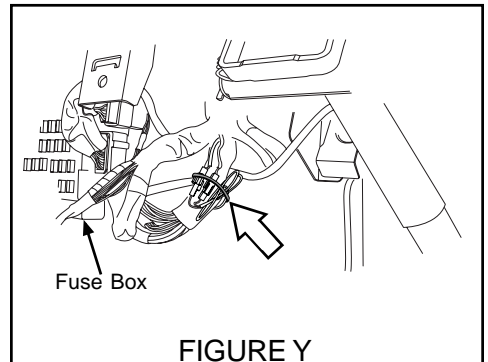
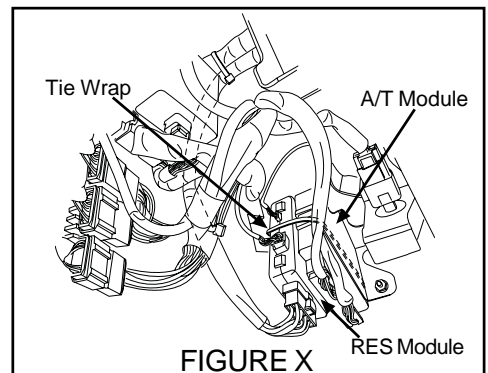
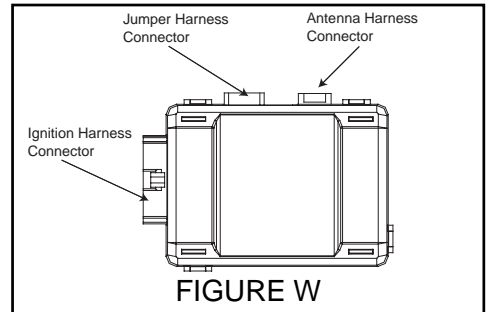
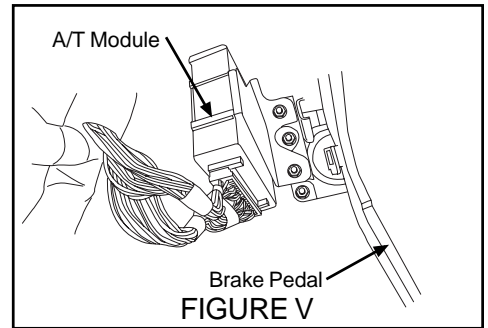
1. Locate the vehicle's 4-pin and 2-pin pre-fit connections located to the left center of the steering column located near the left side lower dashboard airbag / knee bolster mount. These connectors are secured to the vehicle wiring using breakaway tape. (FIGURE T)
2. When the 2-pin pre-fit connector is located, unplug and discard the mating wire jumper. (This is used for the power window interrupt circuit)
3. Plug the remote start pre-fit jumper harness 4-pin and 2-pin male connectors into the corresponding 4-pin and 2-pin vehicle female connectors. (FIGURE U)



8 REMOTE START CONTROL MODULE MOUNTING

1. Locate the vehicle's automatic transmission (A / T) module mounted to the left side of the steering column. (FIGURE V)
2. Route the previously installed windshield mounted antenna harness, previously installed remote start pre-fit jumper harness and remote start ignition harness towards the A / T module and plug into the corresponding connectors on the remote start control module (FIGURE W). Double check all connectors to ensure a secure fit.
3. Secure the remote start control module to the left side of the A / T module using the supplied 3M Dual Lock™ fastener with 2-sided adhesive tape making sure the remote start ignition harness connector is facing down (same direction as the A / T module connector). (FIGURE X)
4. As a secondary mounting provision, secure the remote start control module to the A / T module using the supplied 53cm (21") tie wrap (route the tie wrap between the 12-pin and 5-pin connectors on the remote start control module and through the right side of the A / T module bracket). (FIGURE X)
5. Using the supplied 20cm (8") tie wrap, secure excess remote start jumper harness and antenna harness wiring to the existing vehicle wiring near the prefit connectors behind the fusebox. (FIGURE Y)

NOTE: After the remote start control module has been mounted and all wiring secured, operate the tilt / telescopic steering column fully to ensure that the new components do not interfere with operation of the tilt / telescopic feature.



9 HOOD SAFETY SWITCH MOUNTING

1. In the engine compartment, locate the 2-pin pre-fit hood safety switch connector secured to the ABS unit wire harness with breakaway tape behind the air filter box on the passenger's side of the vehicle (FIGURE Z).
2. Mount the hood safety switch bracket to the passenger side inner fender support using the supplied 10mm bolt and pre-arranged weld nut in the inner fender support. Torque the mounting bolt to 10.8 Nm +/- 2 Nm (1.10 Kgf-m +/- 0.2 Kgf-m, 8 ft-lbs +/- 1.5 ft-lbs). The bottom of the hood safety switch bracket will fit securely against the top of the plastic fender wire harness grommet. (FIGURE AA)
3. Plug the supplied remote start harness 15cm (6") hood safety switch wiring harness to the vehicle's 2-pin pre-fit connector. (FIGURE BB)
4. Securely mount (snap-in) the supplied hood safety switch into the bracket and plug the 15cm (6") hood safety switch wiring harness female hood switch connector to the base of the hood safety switch. (FIGURE BB)
5. Using one of the supplied 20cm (8") tie wraps, secure the hood safety switch wiring harness to the vehicle wire harness. (FIGURE CC)

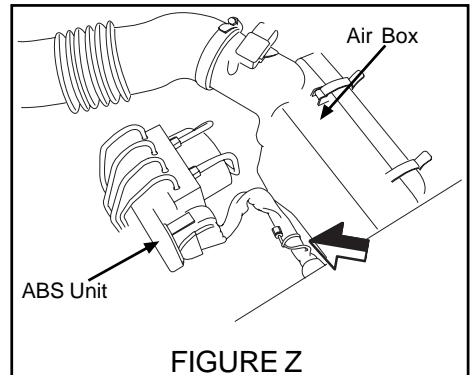


FIGURE Z

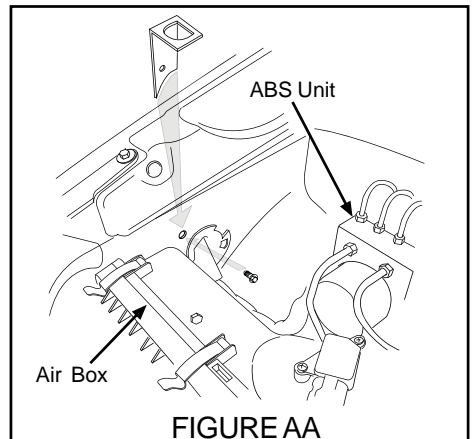


FIGURE AA

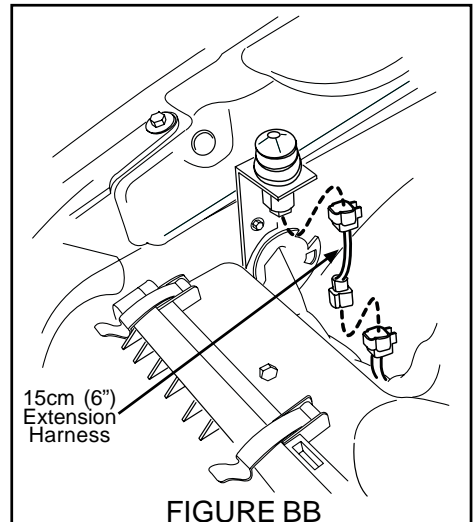


FIGURE BB

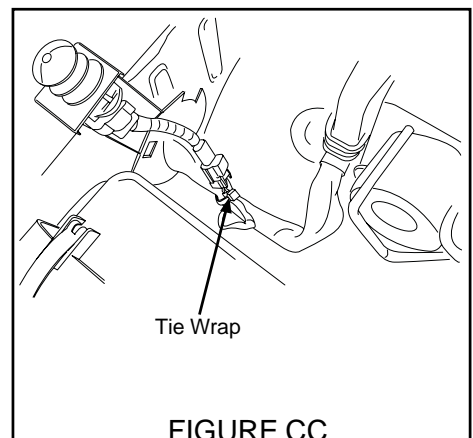


FIGURE CC

10 UNDER HOOD WARNING LABEL MOUNTING

1. Using alcohol clean the top of the air intake plenum.
2. Remove the adhesive backing of the underhood warning label and secure to the top of the air intake plenum. (FIGURE DD)

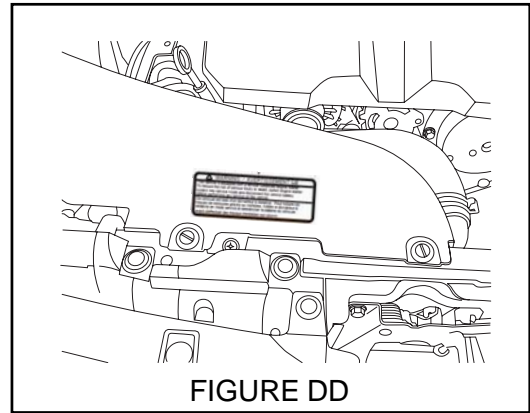


FIGURE DD

11 PANEL RE-ASSEMBLY

1. Plug the electrical connector into the lower dashboard airbag. Verify that the yellow connector lock is fully seated. Failure to properly seat the connector lock could result in the instrument cluster airbag light staying on. Re-install the lower dashboard airbag / knee bolster and torque the bolts to 10.8 Nm +/- 2 Nm (1.10Kgf-m +/- 0.2 Kgf-m, 8 ft-lbs +/- 1.5 ft-lbs). (FIGURE EE)
2. Re-install the steering column shroud and secure in place with two (2) Phillips screws. (refer to FIGURE C)
3. Re-install the driver's right side lower dashboard panel and secure with one (1) Phillips screw. (FIGURE E)
4. Plug in any previously removed connectors and re-install the driver's left side lower dashboard panel (refer to FIGURE D).
5. Re-install the one (1) Phillips screw on the left side of the dashboard that secure the lower dashboard panel in place. (refer to FIGURE B)
6. Re-install the left side dashboard panel. (refer to FIGURE A)
7. At the end of the installation, insert the Quick Reference Card into the Owner's Information Kit and install the keychain warning tags on to the remote start fob key chains.

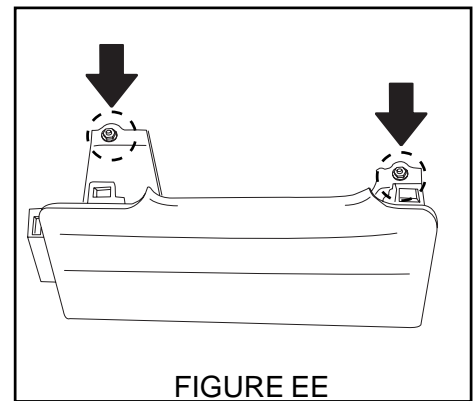


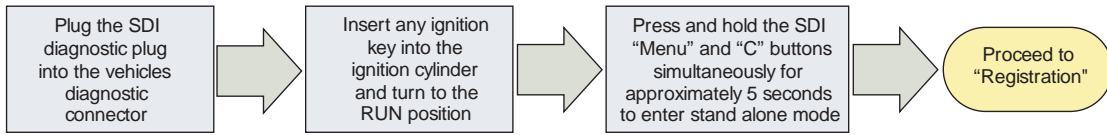
FIGURE EE

12 SYSTEM POWER-UP

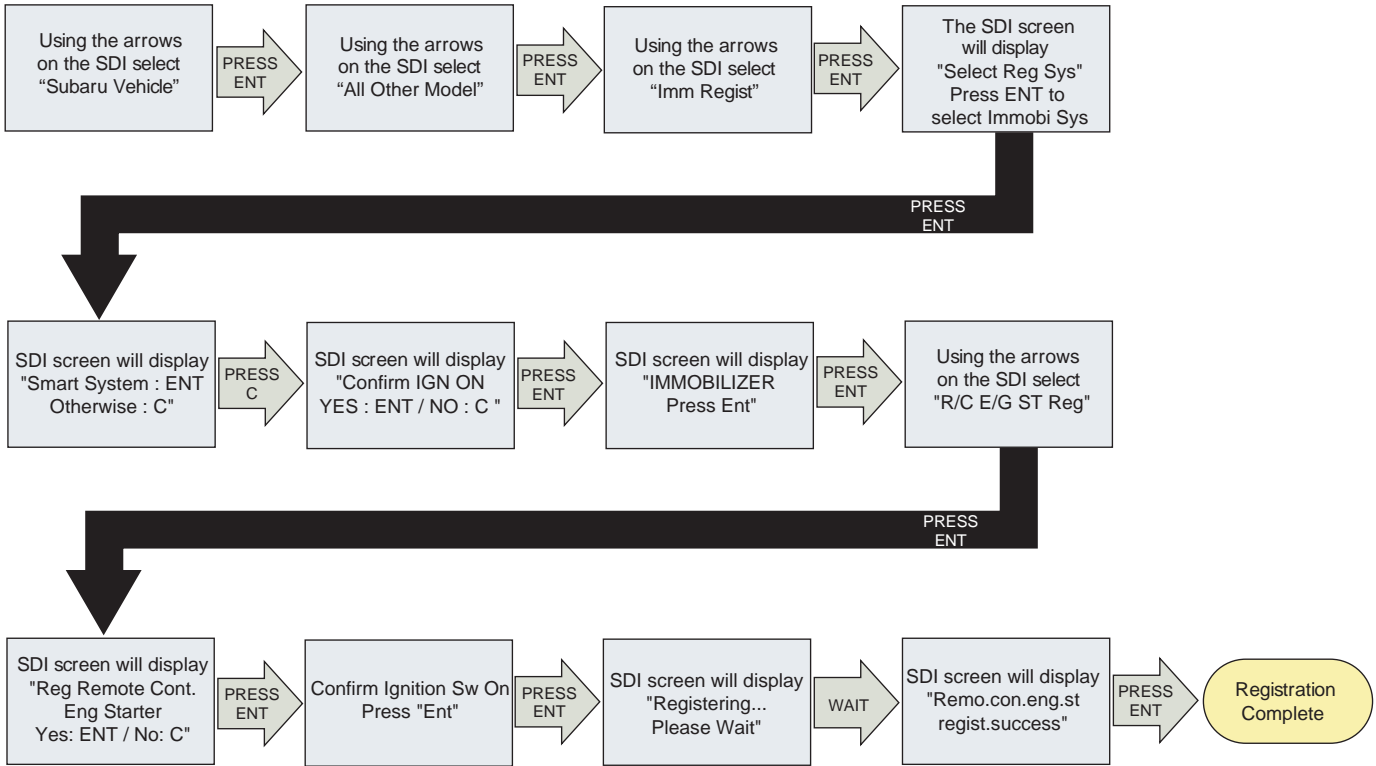
1. After all connections are complete, re-connect the vehicle's negative battery terminal.
2. Start the vehicle a minimum of one (1) time using the ignition key prior to activating the remote engine start system. This is required to allow the vehicle electronic systems to re-synchronize.
3. With vehicle running via ignition key, verify that the instrument cluster airbag light turns off. If the airbag light remains on, refer to vehicle service information for troubleshooting.

NOTE: For registration by DST-i SSM, reference immobilizer registration manual.

SDI SETUP



REGISTRATION



POST INSTALLATION CHECKLIST

- 1. REMOTE ENGINE START- Make sure the key is removed from the ignition switch, the engine hood is closed and all doors and hatch or trunk are closed. Press the START button twice within 3 seconds - The parking lights should flash once, the horn should beep once then the vehicle should crank and start. Once started the parking lights will turn on and stay on and the transmitter button will flash 2 times every 5-seconds signifying the vehicle is started.
- 2. SHUT DOWN WITH DOOR OPENING - While the vehicle is running under remote engine start, wait at least five (5) seconds and then confirm that all function's (lock, unlock, etc.) operate properly on the FACTORY transmitter. Once FACTORY transmitter functionality is confirmed press the UNLOCK button on FACTORY transmitter and open any vehicle door. The remote engine start system should shut down and the transmitter button should flash three (3) times indicating the system has shut down.
- 3. ACTIVATION WITH DOOR OPEN - Make sure the key is removed from the ignition switch and the engine hood is closed. Open the driver's door, press the START button twice within 3 seconds - The vehicle's ignition should power momentarily and then shut down and the vehicle's horn should honk and the parking lights should flash a total of six (6) times. The vehicle should not start with any door or hatch opened.
- 4. BRAKE PEDAL SAFETY - While sitting in the vehicle with all doors and hatch closed, restart the vehicle using the remote engine starter, press the brake pedal - The vehicle should shut off.
- 5. KEY-IN-SENSE - While sitting in the vehicle with all doors and hatch closed, insert the ignition key into the ignition switch but keep in off position, activate the remote engine start function - the vehicle should flash the lights as if it is going to start but then the horn should beep twice and the remote engine starter does not attempt to start the vehicle since it senses the key in the ignition.
- 6. HOOD SAFETY SWITCH - Open the engine hood and activate the remote engine start function - The horn should beep two additional times signifying that hood safety switch is tripped and the vehicle will not start.
- 7. HEATER / AC FUNCTION - Insert the ignition key and turn the ignition to the run position, preset the vehicle's heater or air conditioning to the on position then turn the ignition off and remove the ignition key. Activate the remote engine start system and verify that the heater or air conditioning turns on to the preset setting for manual climate controlled vehicles and turns to the "Full Auto" setting for electronic climate control vehicles.
- 8. 15-MINUTE RUN TIME - Activate the remote engine start system and allow the system to run for the 15-minute preset run time. The remote engine start system should shut the vehicle off in 15 minutes (+/- 10 seconds).
- 9. TRANSMITTER FUNCTIONALITY VERIFICATION - Activate the remote engine starter using both of the supplied single button transmitters.

FUNCTIONAL TESTING IS NOW COMPLETE.

PART NUMBER H001SFJ600	ISSUE 00	DATE 18 Jul 2013	SUBARU OF AMERICA	12 OF 12
---------------------------	-------------	---------------------	-------------------	----------

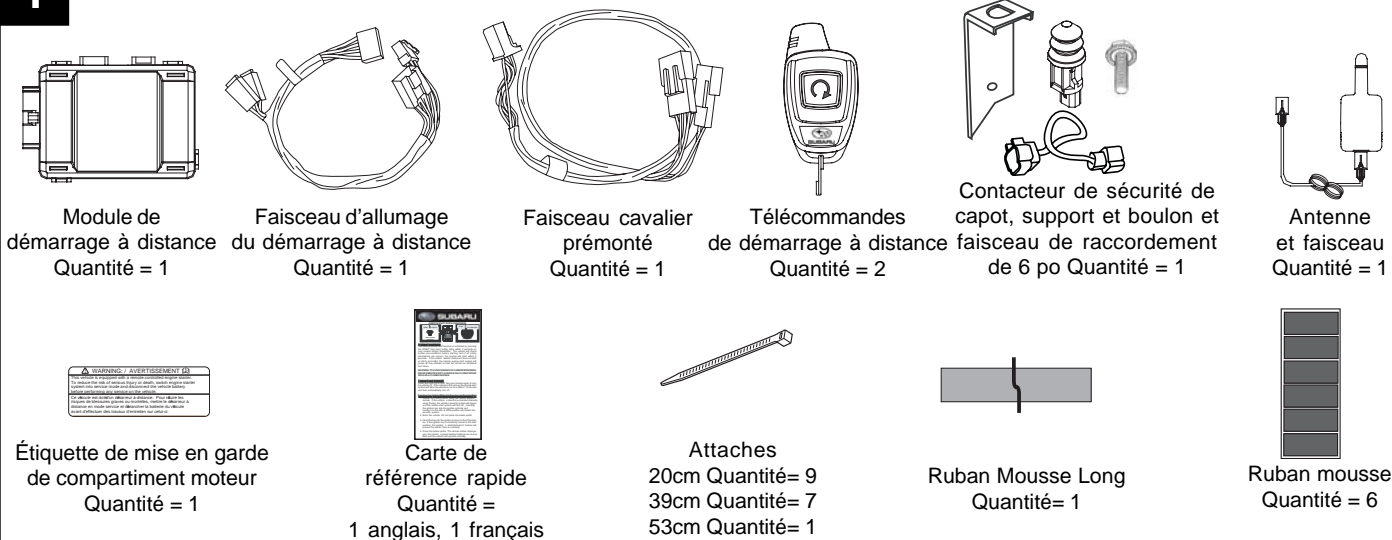


GENUINE PARTS
INSTRUCTIONS
D'INSTALLATION

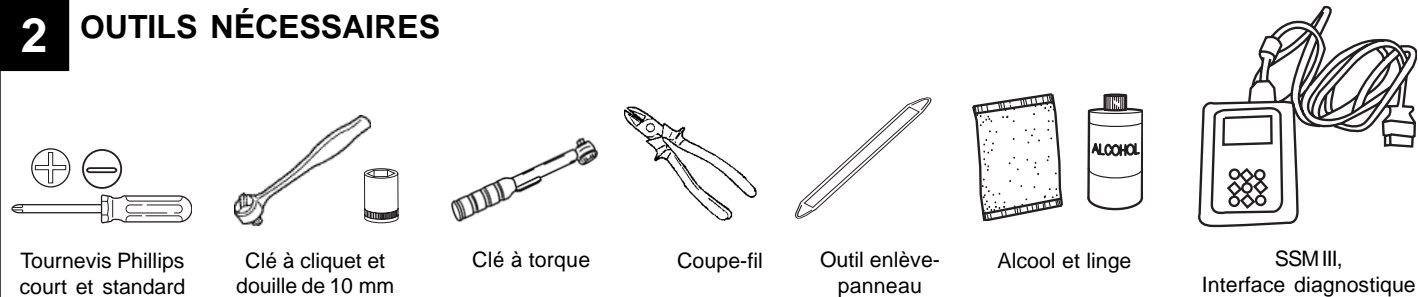
NUMÉRO DE PIÈCE : H001SFJ600

DESCRIPTION : SYSTÈME DE DÉMARRAGE
À DISTANCE

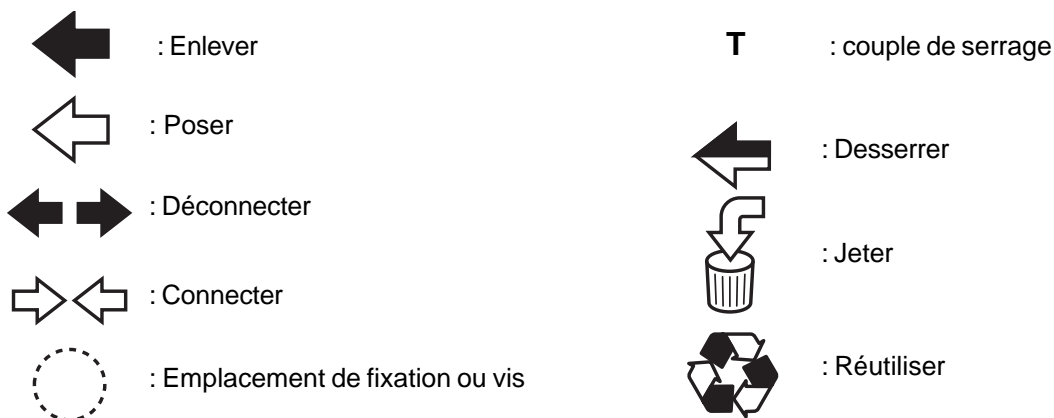
1 CONTENU DE L'ENSEMBLE



2 OUTILS NÉCESSAIRES



3 SIGNIFICATION DES SYMBOLES



ATTENTION : N'ATTACHEZ JAMAIS LE FAISCEAU OU LE MODULE DE DÉMARRAGE À DISTANCE À UN FAISCEAU JAUNE DU VÉHICULE OU À SON CONNECTEUR (SYSTÈME DE COUSSINS GONFLABLES).

NUMÉRO DE PIÈCE
H001SFJ600

VERSION
00

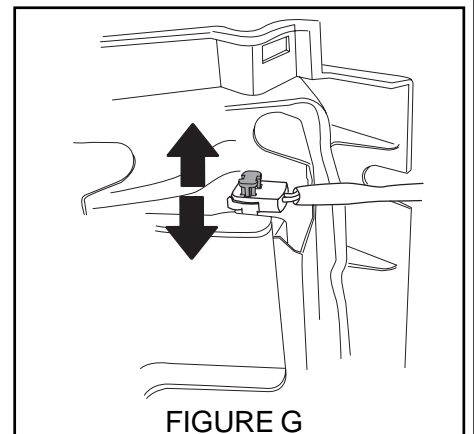
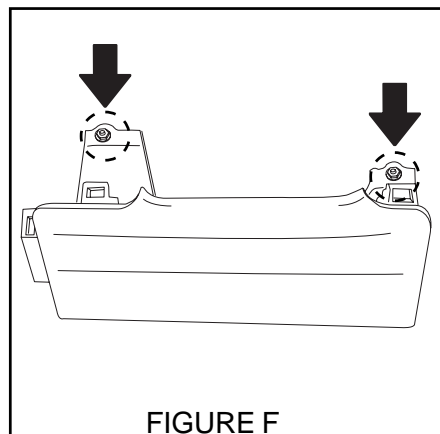
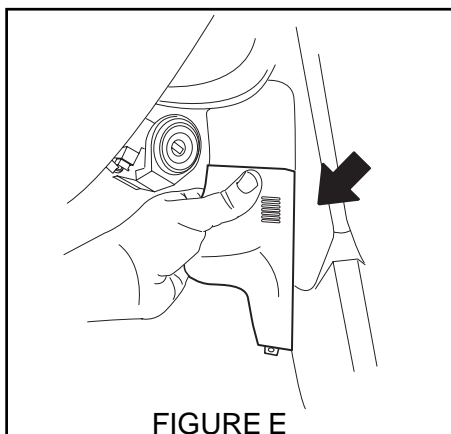
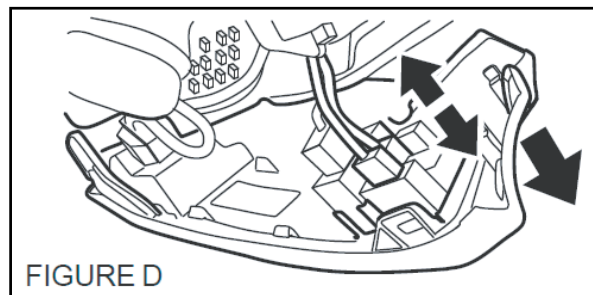
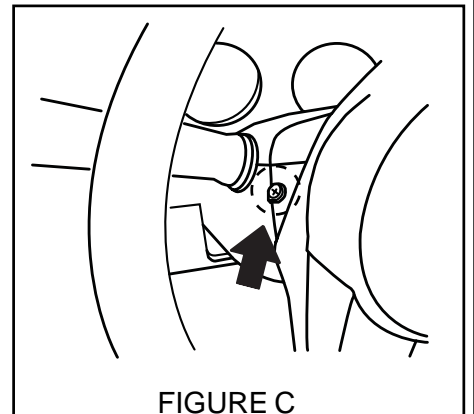
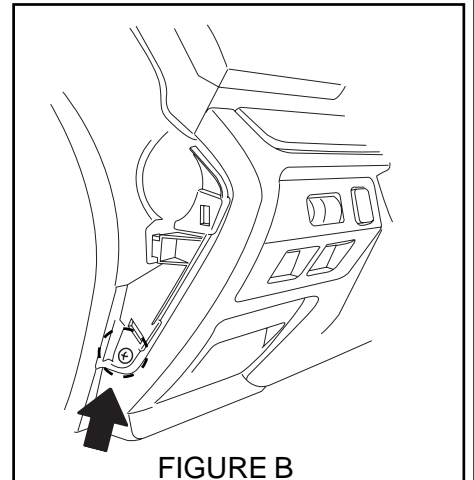
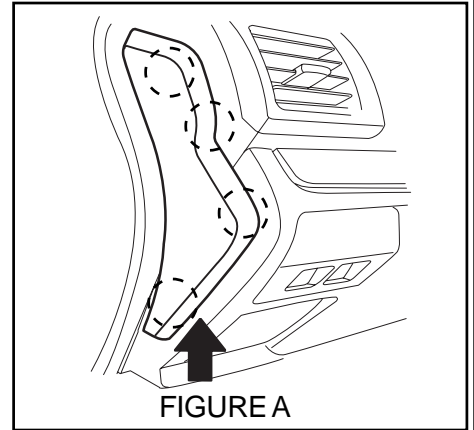
DATE
18 Jul 2013

SUBARU OF AMERICA

1 DE 12

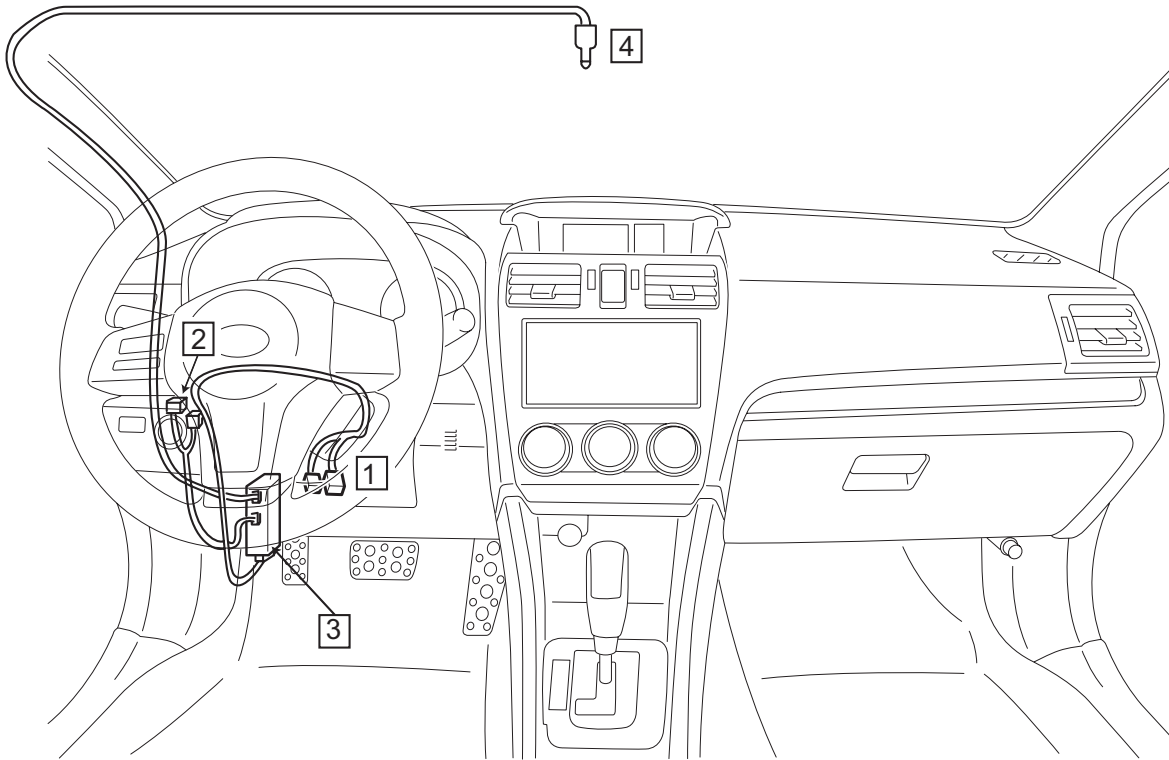
4 PRÉPARATION DU VÉHICULE

1. Avec une clé à cliquet et une douille de 10 mm, déconnectez la borne négative de la batterie. REMARQUE : ATTENDEZ UNE (1) MINUTE AVANT DE PASSER À LA PROCHAINE ÉTAPE POUR QUE LE BLOC D'ALIMENTATION DES COUSSINS GONFLABLES AIT LE TEMPS DE SE DÉCHARGER.
2. Avec un outil enlève-panneau, déposez délicatement le panneau gauche du tableau de bord (FIGURE A). Retirez une (1) des vis Phillips retenant le panneau inférieur au tableau de bord à l'extrémité gauche du tableau de bord. (FIGURE B)
3. Pour enlever la coquille inférieure de la colonne de direction avec un tournevis Phillips, retirez une (1) vis Phillips de la face gauche et une (1) vis Phillips de la face droite de la coquille. Débranchez délicatement la coquille inférieure de la colonne de direction et enlevez-la, puis enlevez la coquille supérieure de la colonne de direction (FIGURE C). REMARQUE : Vous devez tourner le volant pour accéder aux vis Phillips sur la face de la colonne de direction.
4. Avec un outil enlève-panneau, enlevez délicatement le panneau inférieur gauche du tableau de bord en tirant dessus directement. Débranchez tous les connecteurs fixés au tableau de bord. (FIGURE D)
5. Retirez une (1) vis Phillips du coin inférieur du panneau inférieur droit du tableau de bord côté conducteur. Enlevez délicatement le panneau inférieur droit du tableau de bord côté conducteur en le saisissant par le milieu et en le tirant droit vers l'arrière du véhicule (FIGURE E). REMARQUE : **ne tirez pas** à partir du bord inférieur du panneau au risque de l'endommager, ainsi que ses chevilles de montage.
6. Avec une clé à cliquet et une douille de 10 mm, retirez les 2 écrous de montage du protège-genou/coussin gonflable inférieur du conducteur (FIGURE F). Après avoir enlevé le protège-genou/coussin gonflable inférieur, ouvrez le fermoir du connecteur jaune en le soulevant avec un outil pointu. Avec un outil enlève-panneau, soulevez délicatement pour débrancher le connecteur électrique, puis rangez le protège-genou/coussin gonflable à un endroit sûr. (FIGURE G)



5 CONNEXIONS DES FAISCEAUX

FAISCEAU VUE / LAYOUT



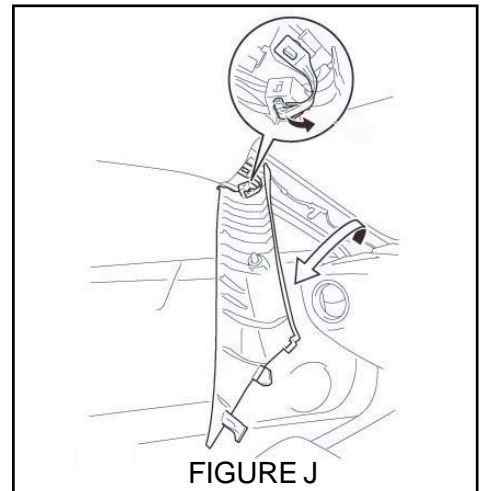
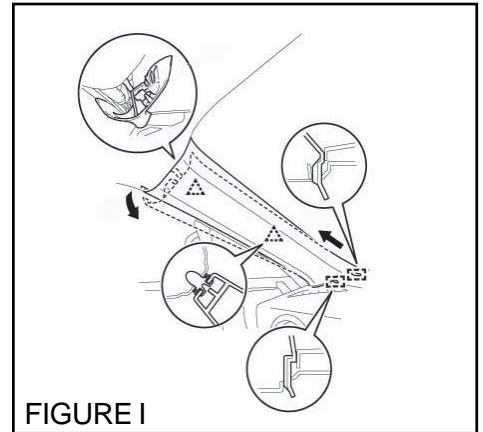
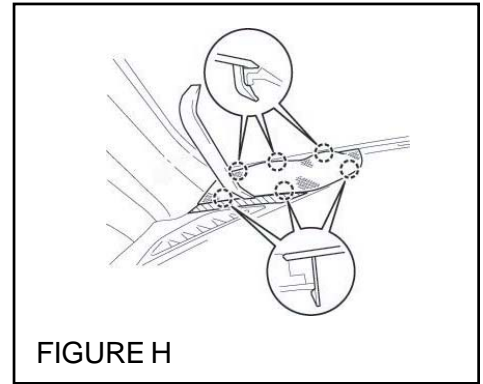
- 1 Commutateur d'allumage connexion du faisceau "T" au commutateur d'allumage du véhicule. Routes du commutateur d'allumage au module de commande RES. Voir la section 7.
- 2 Connexion du faisceau de Jumper à véhicules connecteurs pré-arrangé. Situé près du côté des genoux airbag montage gauche. Routes du côté du véhicule pré-disposés connecteurs vers le module de commande RES. Voir la section 7.
- 3 Module de commande RES de montage sur le côté gauche du véhicule, du module de boîte automatique (A/T). Voir la section 8.
- 4 Connexion de l'antenne RES. Voir la section 6

6

POSE DE L'ANTENNE DE PARE-BRISE

DÉPOSE DU PANNEAU DE PIED DE TOIT A

1. Avec un outil enlève-panneau, enlevez délicatement le couvercle du haut-parleur d'aigus à l'extrémité gauche du tableau de bord en le soulevant. (FIGURE H)
2. Retirer du côté du conducteur Panneau pilier en libérant les deux clips corps (2) en même temps que les pinces inférieures lorsque le panneau de pilier A répond à la planche de bord. (FIGURE I)
3. Faire pivoter le panneau de pilier A l'écart de la planche de bord et relâcher la pince de l'attache d'airbag à partir du haut de la colonne A du panneau. (FIGURE J) **ATTENTION! Soyez prudent lorsque vous effectuez cette étape pour éviter d'endommager l'airbag rideau. Si le coussin gonflable est endommagé, il doit être remplacé.**
4. Examinez la toile protectrice blanche (tissu nontissé) du coussin gonflable rideau. Si le tissu est endommagé, comme le révèle la visibilité de la toile rose du coussin gonflable lui-même, il faut remplacer l'ensemble coussin gonflable.



6 POSE DE L'ANTENNE DE PARE-BRISE, suite

MONTAGE ET ACHEMINEMENT DU CÂBLAGE DU PIED D'ANTENNE

1. Branchez le connecteur 5 broches du faisceau de l'antenne au connecteur 5 douilles du pied d'antenne. (FIGURE K)
2. Utilisation de la bande de mousse fournie, appliquer soigneusement la bande de mousse sur un côté du faisceau de câbles, commencer 76mm (3mm) au loin du connecteur d'antenne bas de la longueur du faisceau de câbles. Incorporer délicatement la bande de mousse et appliquer à l'autre côté du faisceau de câbles. (FIGURE L)
3. Employez l'alcool pour nettoyer le secteur complètement. Retirez l'endos adhésif du pied d'antenne et appliquez l'antenne sur le pare-brise. Il est à noter que la base du pied d'antenne (extrémité connexion) doit s'aligner avec la jonction des pellicules noire et à pois du pare-brise et à pois de 25 mm (1") à gauche de la marque centrale. (FIGURE L)
4. Acheminez le faisceau de l'antenne le long du pavillon et faites-le descendre le long du pied A, puis glissez-le sous le tableau de bord côté conducteur par l'ouverture la plus proche du pare-brise; laissez le faisceau pendre librement derrière le porte-fusibles monté sur le pare-brise. (FIGURE M) Vous brancherez plus tard le faisceau de l'antenne au module de démarrage à distance.
5. Attachez le faisceau de l'antenne au câblage du véhicule à six (6) endroit le long du pied A, avec les attaches 20cm po fournies. Enveloppez les attaches avec le ruban mousse fourni pour prévenir les bruits de claquement. (FIGURE N)
6. Utilisant l'un des 20cm attaches de câble fournies, fixer le faisceau de l'antenne au câblage du véhicule derrière la boîte à fusibles.
7. Réinstallez le clip d'attache airbag au tableau A colonne et faites pivoter le panneau en place.

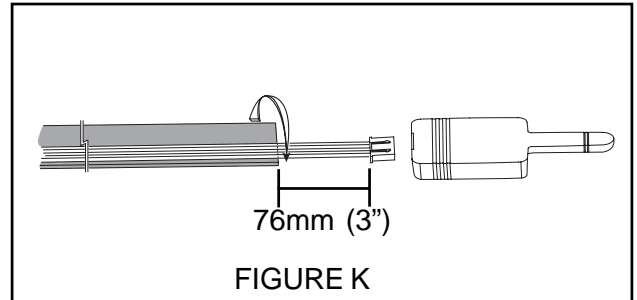


FIGURE K

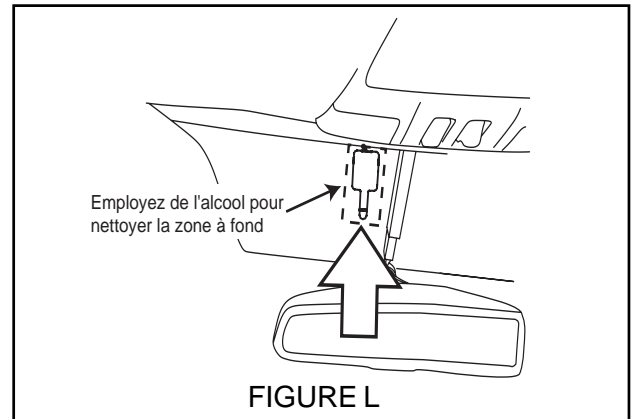


FIGURE L

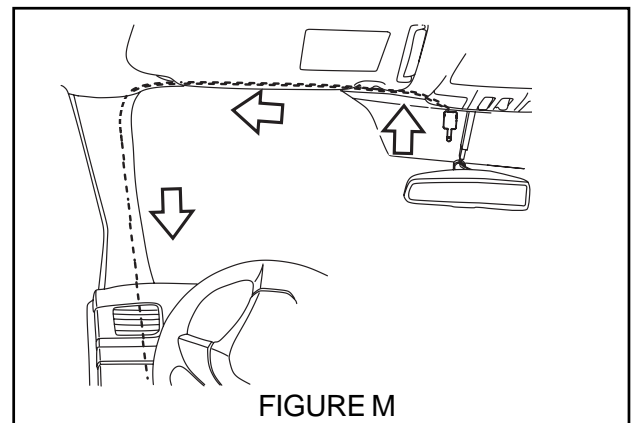


FIGURE M

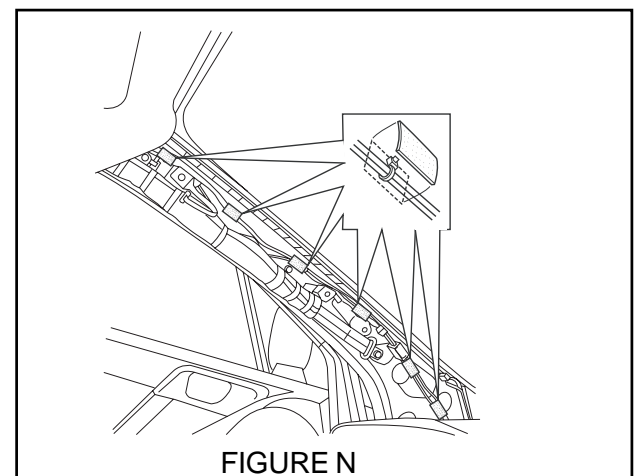


FIGURE N

7 PRINCIPALES CONNEXIONS DES FAISCEAUX

REMARQUE: Soyez prudent lors de l'installation du faisceau de câblage, assurez-vous d'acheminer et attacher le harnais loin des surfaces métalliques pointus.

CONNECTEUR 8 POINTS DU CONTACTEUR D'ALLUMAGE

1. Réglez la colonne de direction à la position la plus reculée (vers le conducteur) et la plus basse.
2. Repérez le connecteur 8 points du contacteur d'allumage sur le côté droit de la colonne de direction et débranchez-le. Tirez délicatement le connecteur vers le bas et vers le volant. (FIGURE O)
3. Branchez le connecteur femelle 8 points du module de démarrage à distance au connecteur du contacteur d'allumage. (FIGURE P)
4. Avec précaution replié la mousse de harnais de démarrage à distance enveloppé connecteur mâle 8 points. Connecteur de commutateur d'allumage du véhicule femelle précédemment débranché dans la mousse de faisceau d'allumage de démarrage à distance enveloppé connecteur mâle 8 points (FIGURE P).
5. Disposez le faisceau du module de démarrage à distance contre le faisceau d'origine du véhicule, vers la paroi pare-feu.
6. Utiliser quatre des 39cm fourni (15 ") attaches autobloquantes, fixer le faisceau d'allumage de démarrage à distance à la suivante. (FIGURE Q)

Attaches autobloquantes sur #1 - Fixer le connecteur accouplé du véhicule femelle d'allumage de l'interrupteur et début faisceau d'allumage à distance à 8 broches des connecteurs mâles pour le câblage de l'usine existante située inférieure avant de la colonne de direction. NOTE: The tie wrap should secure around the foam covered mated connectors, not the wiring.

Attaches autobloquantes sur #2 - Fixer le faisceau d'allumage de démarrage à distance à la colonne de direction harnais coquille dure couvercle du véhicule.

Attaches autobloquantes sur #3 - Fixer le faisceau d'allumage de démarrage à distance à la colonne de direction harnais dur de couverture de coquille de la voiture en face de la zone de harnais gaine annelée de démarrage à distance.

Attaches autobloquantes sur #4 - Fixer le faisceau d'allumage de démarrage à distance direction le faisceau de colonne du véhicule derrière les le couvercle de la coquille dure et harnais zone de gaine annelée de démarrage à distance.

REMARQUE: Ne attaches autobloquantes pas sécurisés à la tubulure zone alambiquée couvert de la rampe d'allumage de démarrage à distance.

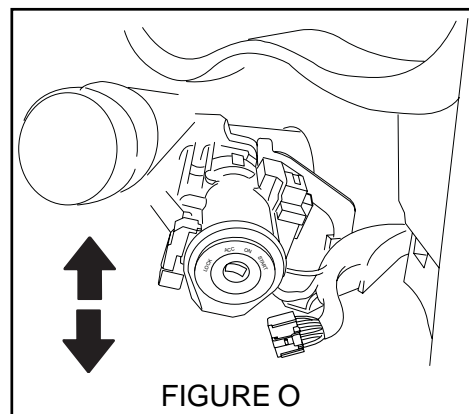


FIGURE O

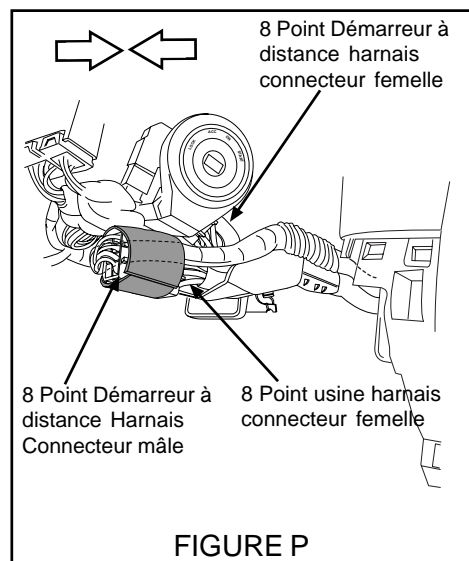


FIGURE P

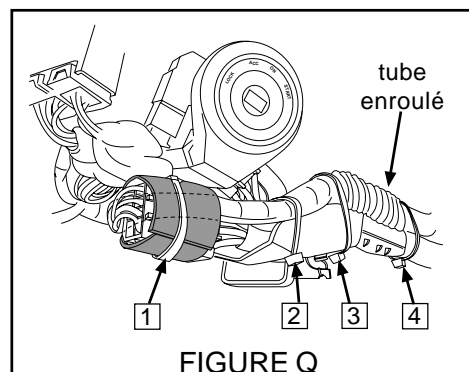


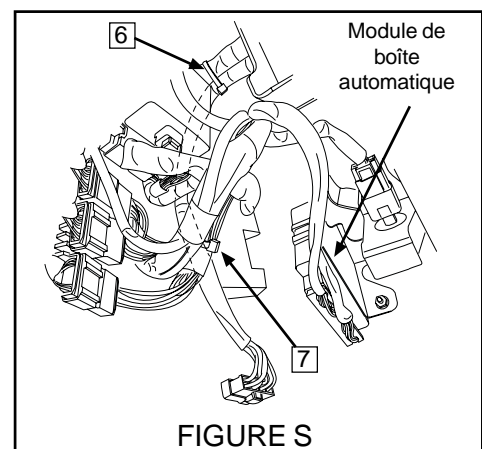
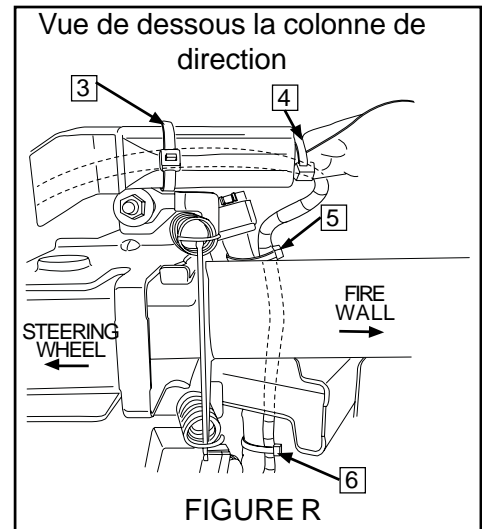
FIGURE Q

7 PRINCIPALES CONNEXIONS DES FAISCEAUX, continué

REMARQUE: Soyez prudent lors de l'installation du faisceau de câblage, assurez-vous d'acheminer et attacher le harnais loin des surfaces métalliques pointus.

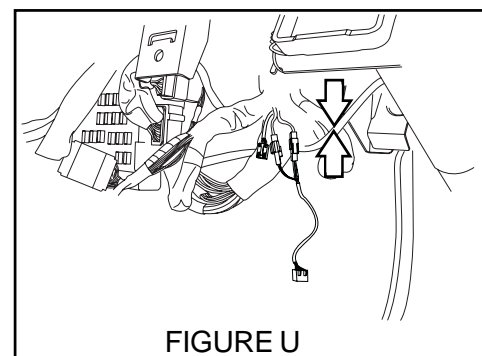
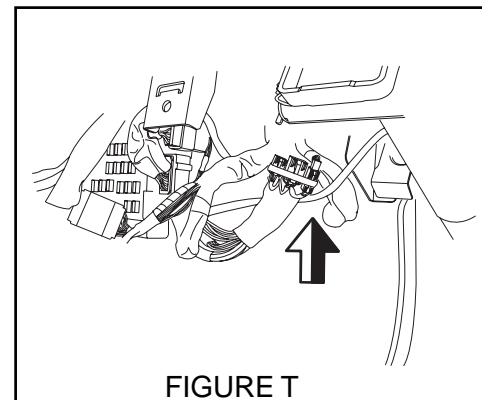
CONNECTEUR 8 POINTS DU CONTACTEUR D'ALLUMAGE, continué

1. Réglez la colonne de direction à la position la plus reculée (vers le conducteur) et la plus basse.
2. Atteignant sous la colonne de direction, la voie du contact de démarrage à distance atteler vers le tableau de bord du véhicule d'acheminement du faisceau d'allumage de démarrage à distance sur la colonne de direction avec le faisceau du tableau de bord du véhicule. Utilisation de deux (2) de la 39cm fourni (15 ") attaches autobloquantes, fixer le faisceau d'allumage de démarrage à distance de la partie supérieure de harnais du tableau de bord du véhicule de chaque côté de la colonne de direction (Tie Wrap #5 and Tie Wrap #6). (FIGURE R) NOTE: des attaches autobloquantes # 3 & 4 sont indiqués pour référence. Il s'agit des mêmes attaches autobloquantes demandé illustrés à la FIGURE Q à partir d'un autre point de vue.
3. Route l'allumage de démarrage à distance exploiter revenant vers la transmission automatique du véhicule (A / T), le module de commande. L'utilisation d'un (1) de la 39cm fourni (15 ") attaches autobloquantes (Wrap Tie # 7), fixer le faisceau d'allumage de démarrage à distance pour le câblage du véhicule à proximité du module de commande A / T. (FIGURE S) NOTE: attaches autobloquantes # 6 est aussi montré comme référence.



CONNECTEURS PRÉMONTÉS 4 POINTS ET 2 POINTS AU CENTRE GAUCHE DE LA COLONNE DE DIRECTION

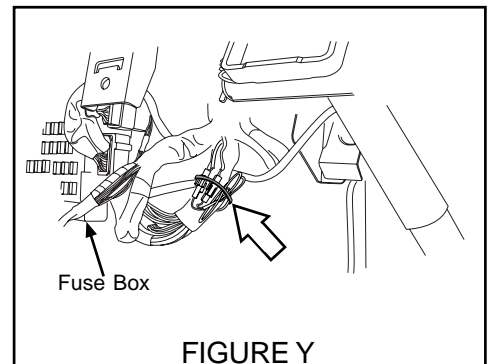
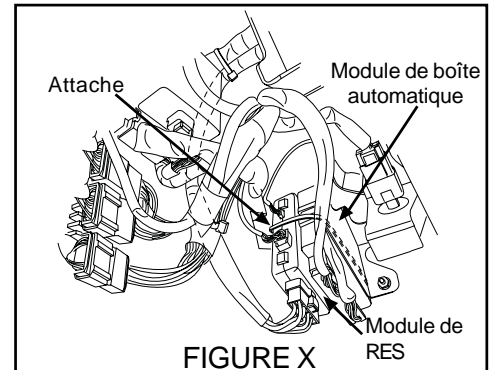
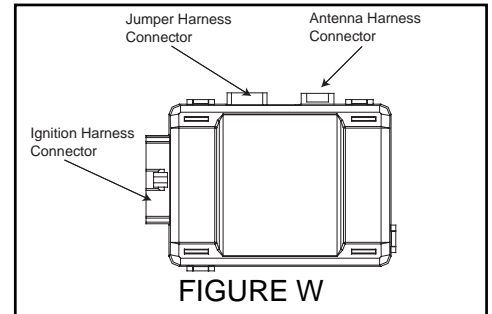
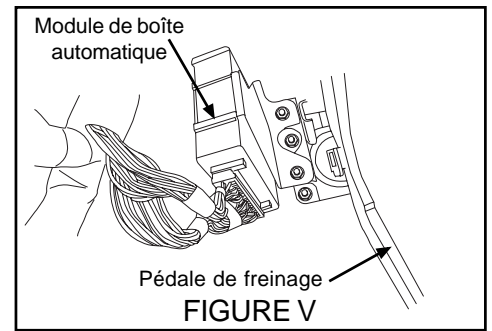
1. Repérez les connecteurs prémontés 4 points et 2 points au centre gauche de la colonne de direction, près du point de montage du protège-genou/coussin gonflable sous le côté gauche du tableau de bord. Ces connecteurs sont attachés au câblage du véhicule à l'aide de ruban déchirable. (FIGURE T)
2. Une fois que vous avez trouvé le connecteur 2 points prémonté, débranchez et jetez son cavalier (il est destiné au circuit de coupure du lève-glace).
3. Branchez le cavalier prémonté de démarrage à distance à connecteurs mâles 4 points et 2 points aux connecteurs femelles correspondants du véhicule. (FIGURE U)



8 MONTAGE DU MODULE DE DÉMARRAGE À DISTANCE

1. Repérez le module de boîte automatique du véhicule, du côté gauche de la colonne de direction. (FIGURE V)
2. Acheminez le faisceau de l'antenne de pare-brise et le faisceau cavalier de démarrage à distance posés précédemment jusqu'au module de boîte automatique et branchez-les aux connecteurs correspondants du module de démarrage à distance (FIGURE W).
3. Attachez le module de démarrage à distance au côté gauche du module de boîte automatique avec l'attache velcro fournie, en vous assurant que le connecteur de faisceau de démarrage à distance est orienté vers le bas (même direction que le connecteur du module de boîte automatique). (FIGURE X)
4. Pour garantir un montage plus sûr, fixez également le module de démarrage à distance au module de boîte automatique avec l'attache de 21 po fournie (faites-la passer entre les connecteurs 12 points et 5 points du module de démarrage à distance, du côté droit du support du module de boîte automatique). (FIGURE X)
5. Avec l'attache de 20cm fournie, attachez la longueur en trop du faisceau cavalier de démarrage à distance et du faisceau d'antenne au câblage du véhicule, près des connecteurs prémontés, derrière la boîte à fusible. (FIGURE Y)

REMARQUE : Après avoir terminé le montage du module de démarrage à distance et de tout le câblage, actionnez le mécanisme de réglage de la colonne de direction pour vous assurer que les nouvelles pièces ne bloquent pas la colonne dans ses mouvements.



9

MONTAGE DU CONTACTEUR DE SÉCURITÉ DU CAPOT

1. Dans le compartiment moteur, repérez le connecteur 2 points prémonté du conducteur de sécurité du capot, qui est fixé au faisceau de l'unité ABS avec du ruban déchirable, derrière le boîtier du filtre à air, côté passager du véhicule. (FIGURE Z)
2. Montez le support du contact de sécurité du capot sur le support intérieur de l'aile côté passager avec le boulon de 10 mm fournis et l'écrou soudé du support intérieur de l'aile. Serrez le boulon à 10,8 +/- 2 Nm (1,10 +/- 0,2 kgf-m, 8 +/- 1,5 lb-pi). Le bas du support de contacteurs de sécurité doit être appuyé fermement contre le haut du passe-fil en plastique de l'aile. (FIGURE AA)
3. Branchez le faisceau de 6 po du contacteur de sécurité de capot au connecteur 2 broches prémonté du véhicule. (FIGURE BB)
4. Enclenchez fermement le contacteur de sécurité du capot dans son support et branchez le connecteur 2 points femelle prémonté du véhicule à la base du contacteur. (FIGURE BB)
5. Utilisant un (1) des 20cm attache de câbles fournis, fixer le harnais de commutateur de capot sur le support de contacteur de capot et de câblage en usine. (FIGURE CC)

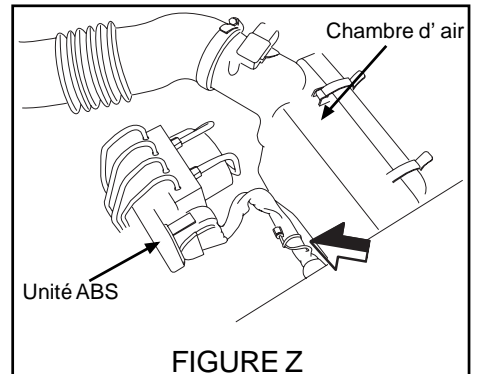


FIGURE Z

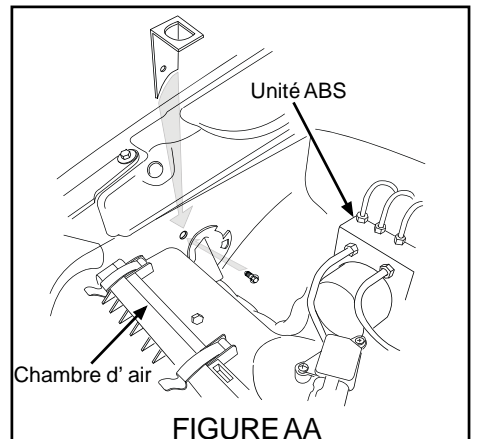


FIGURE AA

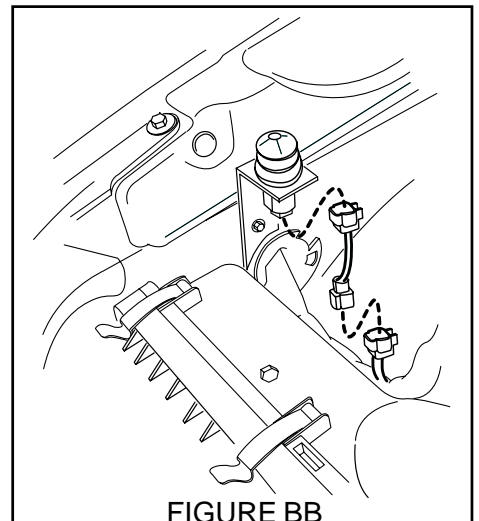


FIGURE BB

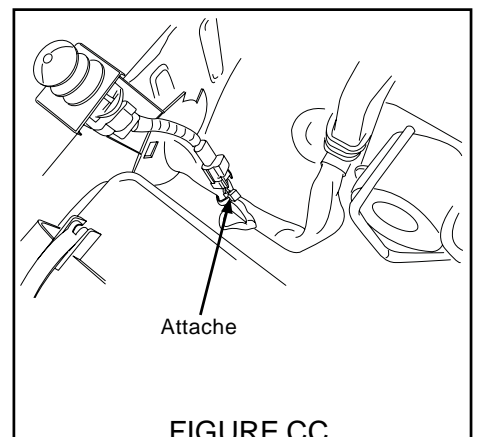


FIGURE CC

10 POSE DE L'ÉTIQUETTE DE MISE EN GARDE DU COMPARTIMENT MOTEUR

1. Nettoyez la partie supérieure de la chambre d'admission d'air avec de l'alcool.
2. Retirez l'endos adhésif de l'étiquette de mise en garde du compartiment moteur et collez-la sur le haut de la chambre d'admission d'air. (FIGURE DD)

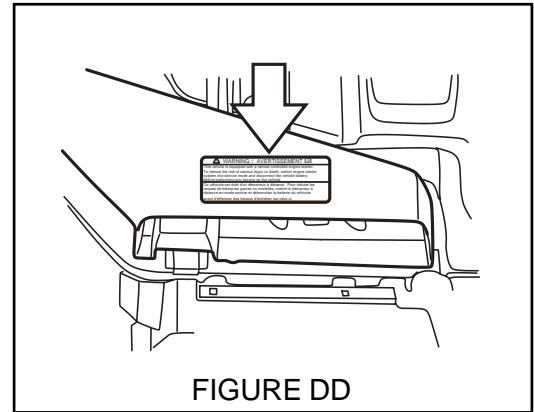


FIGURE DD

11 REMONTAGE DU PANNEAU

1. Branchez son connecteur électrique. Vérifier que la serrure jaune de connecteur est entièrement placée. L'échec convenablement pour placer la serrure de connecteur pourrait avoir pour résultat la lumière d'airbag de bloc d'instruments qui reste sur. puis remontez le protège-genou/coussin gonflable du tableau de bord et serrez ses boulons à 10,8 +/- 2 Nm (1,10 +/- 0,2 kgf-m, 8 +/- 1,5 lb-pi). (FIGURE EE)
2. Remontez la coquille de la colonne de direction et fixez-la avec les deux (2) vis Phillips. (voir la FIGURE C)
3. Remontez le panneau inférieur droit du tableau de bord et fixez-le avec une (1) vis Phillips. (FIGURE E)
4. Rebranchez tous les connecteurs débranchés au démontage et remontez le panneau inférieur gauche du tableau de bord côté conducteur (voir la FIGURE D).
5. Remettez la vis Phillips qui sert à fixer le panneau inférieur du tableau de bord sur le côté gauche du tableau de bord. (voir la FIGURE B)
6. Remontez le panneau gauche du tableau de bord. (voir la FIGURE A)
7. À la fin de l'installation, glissez la Carte de référence rapide dans le dossier du propriétaire.

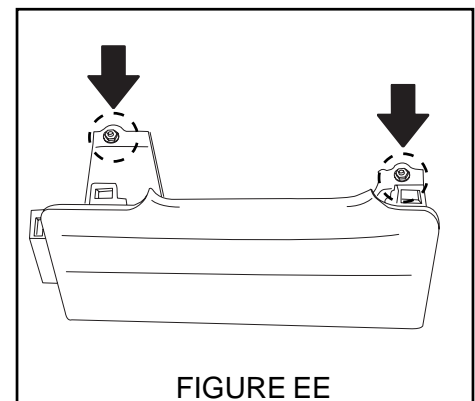


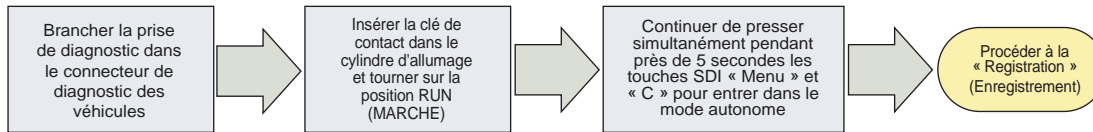
FIGURE EE

12 MISE EN MARCHÉ DU SYSTÈME

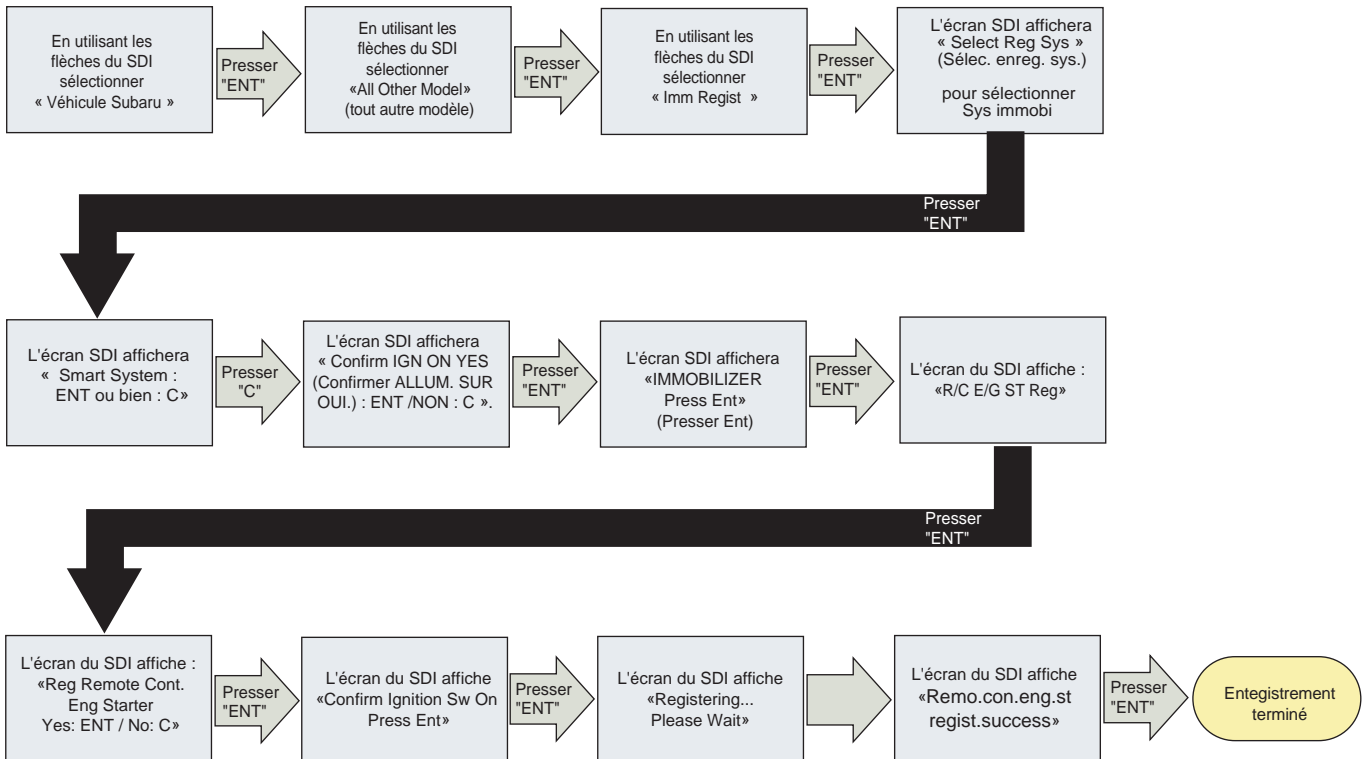
1. Une fois toutes les connexions terminées, rebranchez la borne négative de la batterie du véhicule.
2. Faites démarrer le véhicule au moins une (1) fois avec la clé de contact avant d'essayer le système de démarrage à distance. Cette précaution est nécessaire pour permettre aux systèmes électroniques du véhicule de se resynchroniser.
3. Avec le véhicule qui court via la clef de contact, vérifier que la lumière d'airbag de bloc d'instruments éteint. Si la lumière d'airbag reste sur, se référer aux informations de service de véhicule pour le dépannage.

NOTE: Pour l'enregistrement par DST-i SSM, de référence anti-démarrage d'enregistrement manuel.

CONFIGURATION DU SDI



ENREGISTREMENT



LISTE DE CONTRÔLE APRÈS INSTALLATION

- 1. DÉMARRAGE À DISTANCE – Assurez-vous que la clé est retirée de contact et que le capot moteur ainsi que toutes les portes sont fermées, y compris le hayon ou couvercle du coffre. Appuyez deux fois sur le bouton START dans l'espace de 3 secondes – Les feux de position doivent clignoter une fois, le klaxon doit sonner une fois et le moteur doit démarrer. Après le démarrage, les feux de position restent allumés et le bouton de la télécommande clignote 2 fois toutes les 5 secondes pour indiquer que le moteur est en marche.
- 2. ARRÊT À L'OUVERTURE D'UNE PORTE – Pendant que le moteur est en marche après un démarrage à distance, attendez au moins cinq (5) secondes, puis confirmez la bonne marche de toutes les fonctions (verrouillage, déverrouillage, etc.) avec la télécommande D'ORIGINE. Après avoir confirmé le fonctionnement de la télécommande D'ORIGINE, appuyez sur le bouton de DÉVERROUILLAGE de cet télécommande et ouvrez n'importe laquelle des portes. Le système de démarrage à distance doit s'arrêter et la télécommande doit clignoter trois (3) fois pour indiquer l'arrêt de ce système.
- 3. ACTIVATION AVEC PORTE OUVERTE – Assurez-vous que la clé retirée du contact et que le capot moteur est fermé. Ouvrez la porte du conducteur, appuyez sur le bouton START deux fois dans l'espace de 3 secondes; le contact d'allumage doit être établi brièvement puis coupé, le klaxon du véhicule doit sonner et les feux de position doivent clignoter un total de six (6) fois. Le moteur ne doit pas démarrer si n'importe laquelle des portes est ouverte, y compris le hayon ou couvercle du coffre.
- 4. SÉCURITÉ DE FREINAGE – Assis au volant du véhicule avec toutes les portes fermées (y compris le hayon ou couvercle du coffre), redémarrez avec le système de démarrage à distance, puis appuyez sur la pédale de freinage : le moteur doit s'arrêter.
- 5. DÉTECTION DE LA CLÉ AU CONTACT – Assis au volant du véhicule avec toutes les portes fermées (y compris le hayon ou couvercle du coffre), introduisez la clé dans le contact d'allumage en la laissant à la position OFF, et activez la fonction de démarrage à distance; les feux doivent clignoter comme si le moteur allait démarrer, mais le klaxon doit sonner deux fois et le système ne doit pas essayer de faire démarrer le moteur, parce qu'il détecte la présence de la clé dans le contact.
- 6. CONTACTEUR DE SÉCURITÉ DU CAPOT – Ouvrez le capot moteur et activez la fonction de démarrage à distance; le klaxon doit sonner deux fois de plus pour indiquer que le contacteur de sécurité du capot est déclenché et que le moteur ne peut pas démarrer.
- 7. CHAUFFAGE ET CLIMATISATION – Introduisez la clé de contact d'allumage et tournez-la à la position de contact; mettez en marche le chauffage ou la climatisation, puis coupez le contact et retirez la clé. Activez le système de démarrage à distance et vérifiez si le chauffage ou la climatisation se met en marche au réglage choisi avant la coupure du contact, s'il s'agit d'un système CVC manuel, ou au réglage maximum automatique, s'il s'agit d'un système CVC électronique
- 8. DURÉE MAXIMALE DE FONCTIONNEMENT DE 15 MINUTES – Activez le système de démarrage à distance et laissez le moteur tourner pendant 15 minutes. Le système de démarrage à distance devrait arrêter le moteur au bout de 15 minutes (+/- 10 secondes).
- 9. VÉRIFICATION DU FONCTIONNEMENT DE LA TÉLÉCOMMANDE – Activez le système de démarrage à distance tour à tour avec les deux télécommandes à un bouton fournies.

L'ESSAI DE FONCTIONNEMENT EST MAINTENANT TERMINÉ.